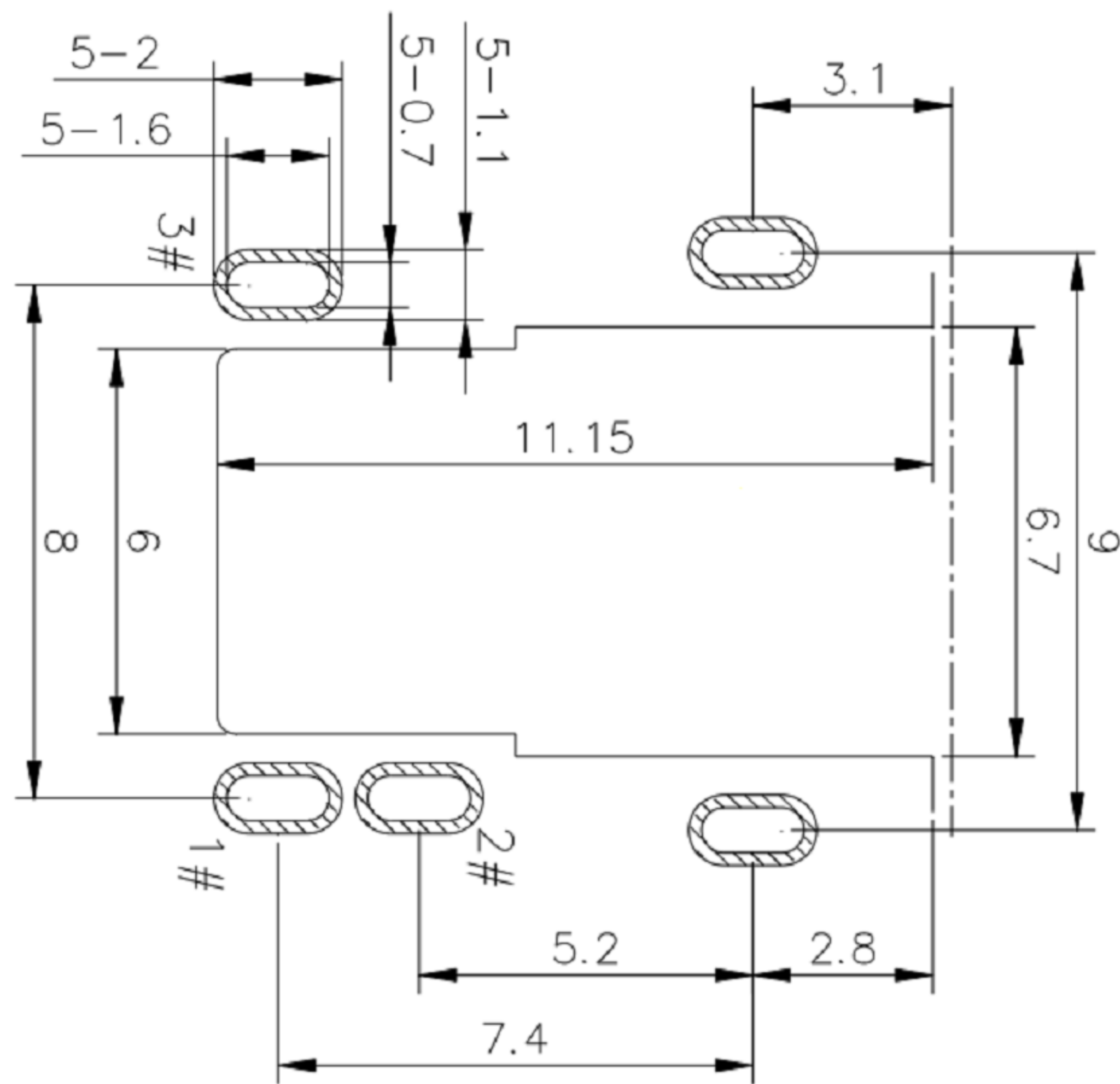
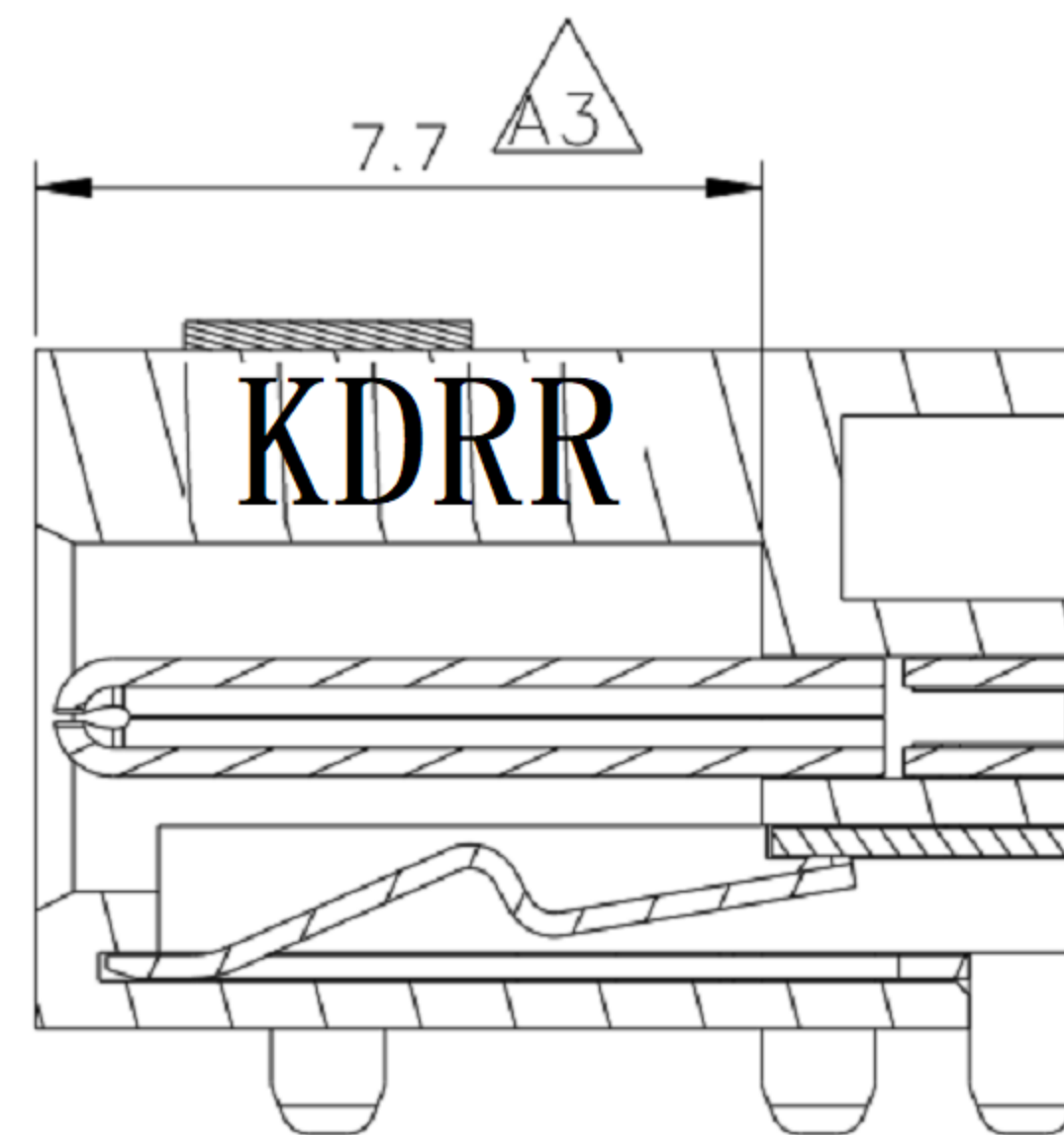


RECOMMENDED PLUG



P.C.B LAYOUT
TOP VIEW



SPECIFICATION

1. Rating : DC 1A 3A 12V 30V
2. Contact resistance : $\leq 30m\Omega$;
3. Insulation resistance : $\geq 100M\Omega$;
4. Withstand voltage : 500VAC ;
5. Insertion force : 3-30N;
extraction force : 3-30N;
6. life test : 5,000 cycles °

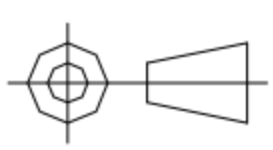


东莞市高迪电子有限公司
Dong Guan KDRR Electronic Switch Jack Co., Ltd.

TOLERANCE UNLESS OTHERWISE STATED :

Up to 5 ±0.2
Above 5 ~ 15 ±0.3
Above 15 ~ 30 ±0.4
Above 30 ~ 50 ±0.5
Angle ±0.3°

3RD. ANGEL'S



UNITS MM

DRAWN BY: Ming Ming Zou
DATE: 6/8/23
CHECKED BY: Ning Ning Su
DATE: 6/8/23
APPROVED BY: Jia Xiang
DATE: 6/8/23

MAT'L		TITLE	JACK
FINISH		MODLE	DC JACK
SCALE	1 : 1	DWG NO.	GD-DCT-4017-SMT
SHEET NO.	1 of 1	PART NO.	

SIZE A4
VER R4

4	更新材質	Jack	050420
3	更新尺寸	Jack	121119
2	更新尺寸標示位置	Jack	082719
1	更新尺寸	Jack	080519
ITEM NO.	DESCRIPTION	DRAWN	DATE